

SD7

User Guide





4G LTE



Rugged, Simple and Highly Functional MCPTT ¹ Device



Dedicated PTT ² button



Comfortable Rotary knob for channel selection



2.5 Watt Loud Speaker
ensures excellent sound quality



Qualcomm SDM660 Octa-core ARM Cortex-A53 64-Bit, 1.8GHz



Siyata Customized Android 9.0



Rugged IP68 rated design

* Additional accessories available

¹ Mission Critical Push-to-Talk (MCPTT)

² Push-To-Talk (PTT)

Thank you for purchasing SD7

The SD7 is an LTE rugged device. This powerful device is based on a Qualcomm chipset supporting 4G LTE.

This IP68 device boasts 4G speed, crystal clear cellular call quality via a loud speaker, dedicated PTT and SOS buttons, multifunction rotary knob button and more.

Please read this manual and safety section to ensure safe and pleasant use of the device.

Device warranty is valid for 2 years with an invoice. Siyata accessories (including the inbox accessories) will be 1 year.

Table Of Contents

1	Keys and Connectors.....	6
2	Getting started	8
2.1	Set-up	8
2.2	Power on/Power off the device	9
2.3	Rotary knob.....	10
2.4	Display	11
2.5	S.O.S button settings	12
2.6	Edit text	12
3	Troubleshooting	13
4	Safety use.....	15

Box Content

Your purchased SD7 kit includes the following original items:

- SD7 Device
- Battery
- Power adapter
- USB Type-C cable
- User Guide

Note: We have made every effort to ensure that the product arrives complete and in working order. If you discover any problems with this product, please contact the point of sale immediately.

1 Keys and Connectors



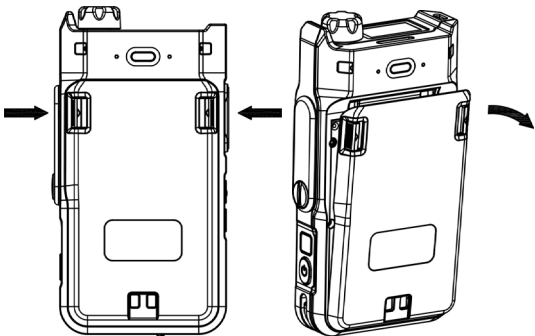


2 Getting started

2.1 Set-up

Removing the battery

Pushing both sides of Battery Latches, pull out the battery.



Inserting and Removing the Nano SIM cards

Power off your device before inserting or removing the SIM cards.

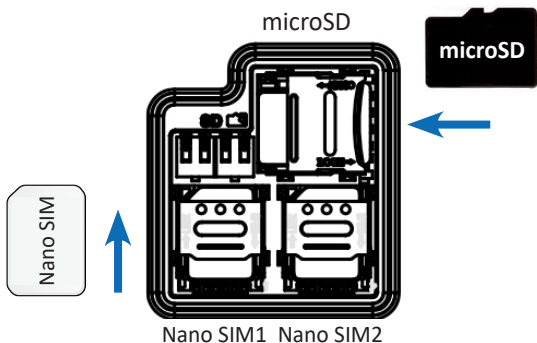
Slide up the SIM tray holder in order to open it and place the SIM cards with the gold contacts facing down. Make sure that it is correctly inserted. Close and lock the sim tray holder over the SIM cards.

To remove the SIM cards, release the tray holders to open and remove the SIMS.

Installing and removing the microSD card

Push the microSD tray holder left to open it and place the card with the gold contacts facing down. Make sure that it is correctly inserted. Close and lock the tray holder over the microSD card.

To remove the card, release the tray holder to open and remove the microSD card.



2.2 Power on / Power off the device

Hold down **Power** key until the device powers on, A vibration feedback will be felt when the device powers on.

Hold down **Power** key until the device options appear on top of the LED screen, Select **Power Off** by pressing down the rotary knob.

2.3 Rotary knob

The SD7 rotary knob can be used by rotating left and right to select channels or scroll through the menus.

By pressing down the rotary knob it acts as selection and menu.

In addition, the rotary knob can also be used by pressing and rotating at once for additional functions (default is set to volume up and down).

Long press on the rotary knob while in the device menus returns back to the previous menu.



2.4 Display

The SD7 display screen shows basic information and simple device menu display.

Your home screen shows date, time, battery and signal information.

From the home screen, press the rotary knob to enter the device menu and navigate through the menu using the rotary knob.

2.4.1 Display layout

From the status bar you can view the time, battery status, Network and notifications.



- | | |
|---------------------------|----------------|
| ❶ Bluetooth connectivity | ❺ Battery icon |
| ❷ WiFi connectivity | ❻ Time |
| ❸ Network signal and mode | ❼ Date |
| ❹ Battery percentage | |

2.5 S.O.S button settings

To use the SOS button, you must set it for the first time. Go to **device menu > SOS > Mode**.

Press **SOS button action** and select an option:

- **PTT SOS**

In this mode the SOS button is assigned to the PTT app (when using app supporting this button).

- **Emergency SMS**

Set SOS numbers & SMS message content.

If you choose to enter an emergency number, enter the number in the next field.

When necessary, hold the SOS key and the device will ring the number you specified.

2.6 Edit Text

You can edit the text you have entered. Click the text you wish to edit, the selected text will be highlighted in green. Drag the highlighting tab to change the range of your selection. A menu will display the options. Choose one of the options: **Cut, Copy, Share, Select all**.

3 Troubleshooting

Before contacting the service center, you are advised to follow the instructions below:

- Fully charge the battery for optimal operation.
- Avoid storing large amounts of data in your device as this may affect its performance.

Carry out the following checks:

My device is frozen or cannot switch on

- Check the battery contacts, remove and reinstall your battery, then turn your device on
- Check the battery power level, charge for at least 20 minutes

My device has not responded for several minutes

- Restart your device by pressing and holding the Power key
- Remove the battery and re-insert it, then restart the device

My device cannot charge properly

- Make sure you are using the battery and the charger from the box
- Make sure your battery is inserted properly and clean the battery contact if it's dirty. It must be inserted before plugging in the charger
- Make sure that your battery is not completely discharged; if the battery power is empty for a long time, it may take around 20 minutes to display the battery charger indicator on the screen
- Make sure charging is carried out under normal conditions (0°C to +40°C)

- When abroad, check that the voltage input is compatible

My device cannot connect to a network

- Try connecting in another location
- Verify the network coverage with your operator
- Check with your operator that your SIM card is valid
- Try connecting at a later time if the network is overloaded

Invalid SIM card

- Make sure the SIM card has been correctly inserted
- Make sure the chip on your SIM card is not damaged or scratched
- Make sure the service of your SIM card is available

I am unable to use the features described in the manual

- Check with your operator to make sure that your subscription includes this service
- Make sure this feature does not require an accessory

How to make your battery last longer

- Make sure you follow the complete charge time (minimum 3 hours)
- After a partial charge, the battery level indicator may not be exact. Wait for at least 20 minutes after removing the charger to obtain an exact indication
- Deactivate Bluetooth, Wi-Fi, or GPS when not in use

4 Safety use

We recommend that you read this chapter carefully before using your device. The manufacturer disclaims any liability for damage, which may result as a consequence of improper use or use contrary to the instructions contained herein.

Traffic Safety

Given that studies show that using a mobile device while driving a vehicle constitutes a real risk, even when the hands-free kit is used (car kit, headset...), drivers are requested to refrain from using their mobile when the vehicle is not parked.

When driving, do not use your device and headdevice to listen to music or to the radio. Using a headdevice can be dangerous and forbidden in some areas.

When switched on, your device emits electromagnetic waves that can interfere with the vehicle's electronic systems such as ABS anti-lock brakes or airbags. To ensure that there is no problem:

- Do not place your device on top of the dashboard or within an airbag deployment area,
- Check with your car dealer or the car manufacturer to make sure that the dashboard is adequately shielded from mobile device RF energy.

Conditions of Use

You are advised to switch off the device from time to time to optimize its performance.

Switch the device off before boarding an aircraft.

Switch the device off when you are in healthcare facilities, except in designated areas. As with many other types of equipment now in regular use, mobile devices can interfere with other electrical or electronic devices, or equipment using radio frequencies.

Switch the device off when you are near gas or flammable liquids. Strictly obey all signs and instructions posted in a fuel depot, petrol station, or chemical plant, or in any potentially explosive atmosphere.

When the device is switched on, it should be kept at least 15 cm from any medical device such as a pacemaker, a hearing aid or insulin pump, etc.

Do not let children use the device and/or play with the device and accessories without supervision.

When replacing the cover please note that your device may contain substances that could create an allergic reaction.

Always handle your device with care and keep it in a clean and dust free place.

Do not allow your device to be exposed to adverse weather or environmental conditions (moisture, humidity, rain, infiltration of liquids, dust, sea air,

etc). The manufacturer's recommended operating temperature range is -20°C to +60°C, humidity 20%-90%.

At over 60°C the legibility of the device's display may be impaired, though this is temporary and not serious.

Emergency call numbers may not be reachable on all cellular networks. You should never rely only on your device for emergency calls.

Do not open, dismantle or attempt to repair your mobile device yourself.

Do not drop, throw or bend your mobile device.

Do not use the device if the glass made screen, is damaged, cracked or broken to avoid any injury.

Do not paint it.

Use only batteries, battery chargers, and accessories which are recommended with your device model.

Remember to make back-up copies or keep a written record of all important information stored in your device.

Some people may suffer epileptic seizures or blackouts when exposed to flashing lights, or when playing video games. These seizures or blackouts may occur even if a person never had a previous seizure or blackout. If you have experienced seizures or blackouts, or if you have a family history of such occurrences, please consult your doctor before playing video games on your device or enabling a

flashing-lights feature on your device.

Parents should monitor their children's use of video games or other features that incorporate flashing lights on the devices. All persons should discontinue use and consult a doctor if any of the following symptoms occur: convulsion, eye or muscle twitching, loss of awareness, involuntary movements, or disorientation. To limit the likelihood of such symptoms, please take the following safety precautions:

- Do not play or use a flashing-lights feature if you are tired or need sleep.
- Take a minimum of a 15-minute break hourly.

Safety instructions for Lithium batteries

Warning!

Improper battery replacement may cause an explosion. Replace the battery only with a similar or equivalent battery. Before extracting the battery from the device, make sure that it is turned off.

Follow these instructions:

- Do not attempt to open the battery (due to the risk of toxic fumes and burns).
- Do not puncture, disassemble or cause a short-circuit in a battery.
- Do not burn or dispose of a used battery in household rubbish or store it at temperatures above 60°C.
- Do not expose the battery or its case to strong heat sources such as: Light, sun, fire, etc.

Batteries must be disposed of in accordance with locally applicable environmental regulations. Only use the battery for the purpose for which it was designed. Never use damaged batteries.

This symbol on your device, the battery and the accessories means that these products must be taken to collection points at the end of their life:

- Municipal waste disposal centers with specific bins for these items of equipment
- Collection bins at points of sale.

They will then be recycled, preventing substances being disposed of in the environment, so that their components can be reused.

In European Union countries:

These collection points are accessible free of charge. All products with this sign must be brought to these collection points.

In non-European Union jurisdictions:

Items of equipment with this symbol are not to be thrown into ordinary bins if your jurisdiction or your region has suitable recycling and collection facilities; instead they are to be taken to collection points for them to be recycled.

CAUTION: RISK OF EXPLOSION IF BATTERY IS REPLACED BY AN INCORRECT TYPE. DISPOSE OF USED BATTERIES ACCORDING TO THE INSTRUCTIONS.

Charger safety instructions

- The equipment shall be connected to a nearby and easily accessible socket outlet.
- Prevent penetration of water or humidity.
- Keep away from extreme temperatures such as radiators, heaters or places exposed to direct sunlight.
- Keep away from burning candles, cigarettes and cigars, do not expose to open fire, etc.
- Protect charger from falling objects or splashes of liquid, including acids.
- Make sure that the voltage level of your power source is compatible with that marked on the charger.

- In order to decrease the risk of damage to the electric cable, do not disconnect the charger from the socket by pulling the cable. Grip the charger itself and pull it out of the socket.
- Make sure the cable is routed in such a way as to avoid the risk of someone stepping on it or falling over it.
- Warning: Never replace the cable or the plug with non-original parts. A defective connection creates a risk of electrocution.
- When using an extension cable, make sure that the extension conductor is not defective.
- Intended for internal use only. Do not expose to sun, rain, etc.
- Make sure to maintain the detachable device on and ready to use.

Protection against theft

Your device is identified by an IMEI (device serial number) shown on the packaging label and in the device's memory. We recommend that you note the number the first time you use your device and keep it in a safe place. It may be requested by the police or your operator if your device is stolen. This number allows your mobile device to be blocked preventing a third person from using it, even with a different SIM card.

Disclaimer

There may be certain differences between the user manual description and the device's operation, depending on the software release of your device or specific operator services.

Warning: The manufacturer disclaims any liability for damage, which may result as a consequence of improper use of this mobile device or use contrary to the instructions contained in this manual.



© 2021 Siyata Mobile Inc.
All rights reserved

NA Edition

www.siyatamobile.com